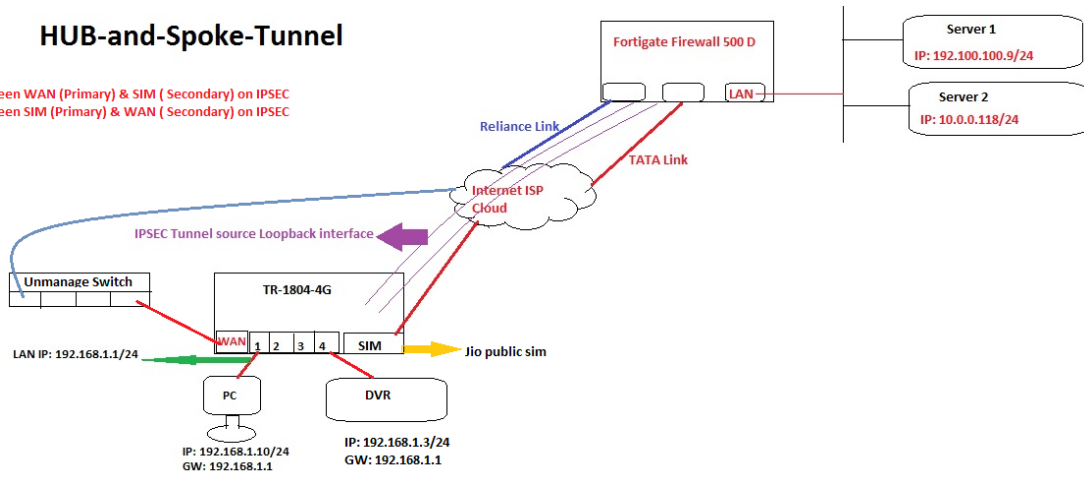


Topology

HUB-and-Spoke-Tunnel

- Requirement:
- 1) Failover between WAN (Primary) & SIM (Secondary) on IPSEC
 - 2) Failover between SIM (Primary) & WAN (Secondary) on IPSEC



Cell Status

TR-1804-4G Wireless Cellular Router/Modem
UNSAVED CHANGES: 3 AUTO REFRESH ON

	Status																
System	<p>System</p> <table border="1" style="width: 100%; border-collapse: collapse;"> <tr><td>Hostname</td><td>TR-1804-4G</td></tr> <tr><td>SN</td><td>860400153A000545</td></tr> <tr><td>Firmware Version</td><td>3.2.173</td></tr> <tr><td>Kernel Version</td><td>3.18.29</td></tr> <tr><td>Local Time</td><td>Tue Jul 31 16:54:26 2018</td></tr> <tr><td>Uptime</td><td>0h 33m 35s</td></tr> <tr><td>Load Average</td><td>2.69, 2.27, 1.99</td></tr> <tr><td>Port Status</td><td> <div style="display: flex; justify-content: space-around; align-items: center;"> <div style="text-align: center;"> LAN1</div> <div style="text-align: center;"> LAN2</div> <div style="text-align: center;"> LAN3</div> <div style="text-align: center;"> LAN4</div> <div style="text-align: center;"> WAN</div> </div> </td></tr> </table>	Hostname	TR-1804-4G	SN	860400153A000545	Firmware Version	3.2.173	Kernel Version	3.18.29	Local Time	Tue Jul 31 16:54:26 2018	Uptime	0h 33m 35s	Load Average	2.69, 2.27, 1.99	Port Status	<div style="display: flex; justify-content: space-around; align-items: center;"> <div style="text-align: center;"> LAN1</div> <div style="text-align: center;"> LAN2</div> <div style="text-align: center;"> LAN3</div> <div style="text-align: center;"> LAN4</div> <div style="text-align: center;"> WAN</div> </div>
Hostname	TR-1804-4G																
SN	860400153A000545																
Firmware Version	3.2.173																
Kernel Version	3.18.29																
Local Time	Tue Jul 31 16:54:26 2018																
Uptime	0h 33m 35s																
Load Average	2.69, 2.27, 1.99																
Port Status	<div style="display: flex; justify-content: space-around; align-items: center;"> <div style="text-align: center;"> LAN1</div> <div style="text-align: center;"> LAN2</div> <div style="text-align: center;"> LAN3</div> <div style="text-align: center;"> LAN4</div> <div style="text-align: center;"> WAN</div> </div>																
Mobile 1	<p>Mobile 1</p> <table border="1" style="width: 100%; border-collapse: collapse;"> <tr><td>Cellular Status</td><td>Down</td></tr> </table>	Cellular Status	Down														
Cellular Status	Down																


Overview
Network
Firewall
Routes
System Log
Kernel Log
Reboot Log
Realtime Graphs
VPN
System
Services
Network
Logout

Mobile Status

Mobile 1

Cellular Status	Down
Cell Modem	SLM730_SLM750 (05C6_F601)
IMEI/ESN	968621029221243
Sim Status	SIM Ready
Strength	T all 15 / 31, dBm : -83
Selected Network	4G (LTE) only
Registered Network	Registered on Roaming network: "JIO 4G"; 7,
Sub Network Type	TDD LTE
Location Area Code	4E
Cell ID	B9010
Band	40_39025
ICCID	89918740400031581709
RSRP	-119 dBm
RSRQ	-14 dB
SINR	0.0 dB
MSISDN/IMSI	/ 405874003635168

WAN Status



TR-1804-4G Wireless Cellular Router/Modem
AUTO REFRESH ON

Status	Mobile WAN LAN
Overview	
Network	
Firewall	
Routes	
System Log	
Kernel Log	
Reboot Log	
Realtime Graphs	
VPN	
System	
Services	
Network	
Logout	

WAN Status

IPv4 WAN Status	Port	pppoe-wan
	Protocol:	pppoe
	Address:	172.30.8.4
	Netmask:	255.255.255.255
	Gateway:	111.119.217.38
	DNS 1:	120.138.96.18
	DNS 2:	120.138.96.18
	Uptime:	0h 17m 35s
	Mac Addr:	00:00:00:00:00:00
	RX	756.51 KB (6017 Pkts.)
	TX	962.35 KB (6845 Pkts.)

IPSEC Configuration

TR-1804-4G Wireless Cellular Router/ModemUNSAVED CHANGES: 2

- Status
- System
- Services
 - ICMP Check
 - VRRP
 - Fallover
 - DTU
 - SNMP
 - GPS
 - SMS
 - VPN
 - DDNS
 - Connect Radio Module
 - NMS
- Network
- Logout

IPSec PPTP L2TP OpenVPN GRE Tunnel

IPSec Instance: TATA_Link

Switch to advanced configuration »

Enable

Exchange mode: IKEV1-Main

Operation Level: Main

Authentication method: PSK Client

Remote VPN endpoint: 14.141.165.149

Local endpoint: interface:loopback

Local IKE Identifier:

Remote IKE Identifier:

Preshared Keys:

Perfect Forward Secrecy: Enable

Preshared Keys:

Perfect Forward Secrecy: Enable

DPD action: Clear

DPD delay: 30 seconds

DPD timeout: 60 seconds

NAT Traversal: Enable

Local LAN bypass:

Local subnet: 192.168.1.0/24

Remote subnet: 192.100.100.0/24

Local source ip:

Remote source ip:

Phase 1 Proposal

Enable

Encryption algorithm: AES 128

Hash algorithm: HMAC_MD5

DH group: MODP1024/2

Life time: 86400 seconds

Phase 2 Proposal

Enable

Encryption algorithm: AES 128

PFS group: MODP1024/2

Authentication: HMAC_SHA1

Life time: 43201 seconds

NAT Enable

The screenshot shows the configuration page for the TR-1804-4G Wireless Cellular Router/Modem. The left sidebar contains a navigation menu with items: Status, System, Services, Network, Operation Mode, Mobile, LAN, Wired WAN, WAN IPv6, Interfaces, Wi-Fi, Firewall, and Switch. The main content area is titled "Operation mode configuration" and includes a sub-header "Operation mode configuration" and a note: "You may configure the operation mode suitable for you environment." The configuration options are:

- Operation mode: Bridge mode (All ethernet and wireless interfaces are bridged into a single bridge interface.), Gateway mode (The first ethernet port is treated as WAN port. The other ethernet ports and the wireless interface are bridged together and are treated as LAN ports.), AP client mode (The wireless ap client interface is treated as WAN port.)
- Wired-WAN port role: Wired-WAN port acts as WAN, Wired-WAN port acts as LAN
- NAT enable:

At the bottom right, there are three buttons: "Save & Apply", "Save", and "Reset". A "UNSAVED CHANGES: 6" indicator is visible in the top right corner.

Failover Configuration

The screenshot shows the configuration page for the TR-1804-4G Wireless Cellular Router/Modem, specifically the "Failover Configuration" section. The left sidebar contains a navigation menu with items: Status, System, Services, ICMP Check, VRRP, Failover, DTU, SNMP, GPS, SMS, VPN, DDNS, Connect Radio Module, NMS, Network, and Logout. The main content area is titled "Failover Configuration" and includes a sub-header "Failover Configuration" and a note: "You may configure the failover settings suitable for you environment." The configuration options are:

- Failover: Enable
- Back To High priority:
- Current interface: primary
- Primary Configuration:
 - Primary: Wired_wan
 - Host1 to ping: 8.8.8.8
 - Host2 to ping:
 - Ping timeout: 1
 - Max Retries: 5
 - Interval between ping: 10
- Secondary Configuration:
 - Secondary: Cell_mobile
 - Host1 to ping: 8.8.8.8
 - Host2 to ping:
 - Ping timeout: 1
 - Max Retries: 5
 - Interval between ping: 30
- Third Configuration:
 - Third: None
 - Host1 to ping:
 - Host2 to ping:
 - Ping timeout: 1
 - Max Retries: 10
 - Interval between ping: 30

Cell Configuration

Services

Network

- Operation Mode
- Mobile**
- LAN
- Wired WAN
- WAN IPv6
- Interfaces
- Wi-Fi
- Firewall
- Switch
- DHCP and DNS
- Diagnostics
- Loopback Interface
- Hostnames
- Dynamic Routing
- Guest LAN(Guest WiFi)
- Static Routes
- QoS

Logout

Mobile Configuration

SIM 1

Enable

Mobile connection:

PIN code:

Dialing number:

APN:

Authentication method:

Dual APN support:

Network Type:

MTU:

Online mode:

Metric:

[Save & Apply](#) [Save](#) [Reset](#)

LAN Configuration

Techroutes NETWORK

TR-1804-4G Wireless Cellular Router/Modem

AUTO REFRESH ON

Status

System

Services

Network

Logout

Interfaces - LAN

On this page you can configure the network interfaces. You can bridge several interfaces by ticking the "bridge interfaces" field and enter the names of several network interfaces separated by spaces. You can also use VLAN notation INTERFACE.VLANID (e.g.: eth0.1).

Common Configuration

General Setup | **Advanced Settings** | Physical Settings | Firewall Settings

Status: **Uptime:** 0h 36m 36s
MAC-Address: 90:22:06:00:08:37
RX: 1.01 MB (15162 Pkts.)
TX: 4.38 MB (14861 Pkts.)
IPv4: 192.168.1.1/24
IPv6: fdfd:66e6:bd35::1/60

Protocol:

Really switch protocol? [Switch protocol](#)

IPv4 address:

IPv4 netmask:

WAN Configuration

UNSAVED CHANGES: 1 [AUTO REFRESH ON](#)

Status

System

Services

Network

Logout

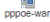
Interfaces - WAN

On this page you can configure the network interfaces. You can bridge several interfaces by ticking the "bridge interfaces" field and enter the names of several network interfaces separated by spaces. You can also use VLAN notation INTERFACE.VLANID (e.g.: eth0.1).

Common Configuration

General Setup
Advanced Settings
Physical Settings
Firewall Settings

Status



Uptime: 0h 20m 42s

RX: 905.77 KB (7214 Pkts.)

TX: 1.14 MB (8163 Pkts.)

IPv4: 172.30.8.4/32

Protocol: PPPoE

PAP/CHAP username: ap_securens


PAP/CHAP password: *****

Access Concentrator: auto

Service Name: AIS

Back to Overview
Save & Apply
Save
Reset

Port Forward Configuration on loopback interface


TR-1804-4G Wireless Cellular Router/Modem

General Settings
Port Forwards
Traffic Rules
Source NAT
DMZ
Security


Firewall - Port Forwards

Port forwarding allows remote computers on the Internet to connect to a specific computer or service within the private LAN.

Port Forwards

Name	Match	Forward to	Enable	Sort	
192.168.1.2	IPv4-TCP, UDP From any host in wan Via any router IP at port 5006	IP 192.168.1.2, port 5006 in lan	<input checked="" type="checkbox"/>	+ +	Edit Delete
192.168.1.2	IPv4-TCP, UDP From any host in wan Via any router IP at port 5005	IP 192.168.1.2, port 5005 in lan	<input checked="" type="checkbox"/>	+ +	Edit Delete
192.168.1.2	IPv4-TCP, UDP From any host in wan Via any router IP at port 5026	IP 192.168.1.2, port 5026 in lan	<input checked="" type="checkbox"/>	+ +	Edit Delete
192.168.1.2	IPv4-TCP, UDP From any host in wan Via any router IP at port 2300	IP 192.168.1.2, port 2300 in lan	<input checked="" type="checkbox"/>	+ +	Edit Delete
192.168.1.2	IPv4-TCP, UDP From any host in wan Via any router IP at port 5002	IP 192.168.1.2, port 5002 in lan	<input checked="" type="checkbox"/>	+ +	Edit Delete
192.168.1.2	IPv4-TCP, UDP From any host in wan Via any router IP at port 5000	IP 192.168.1.2, port 5000 in lan	<input checked="" type="checkbox"/>	+ +	Edit Delete
DVR	IPv4-TCP, UDP From any host in wan Via any router IP at port 554	IP 192.168.1.3, port 554 in lan	<input checked="" type="checkbox"/>	+ +	Edit Delete
DVR	IPv4-TCP, UDP From any host in wan Via any router IP at port 8000	IP 192.168.1.3, port 8000 in lan	<input checked="" type="checkbox"/>	+ +	Edit Delete

Loopback Interface Configuration


TR-1804-4G Wireless Cellular Router/Modem

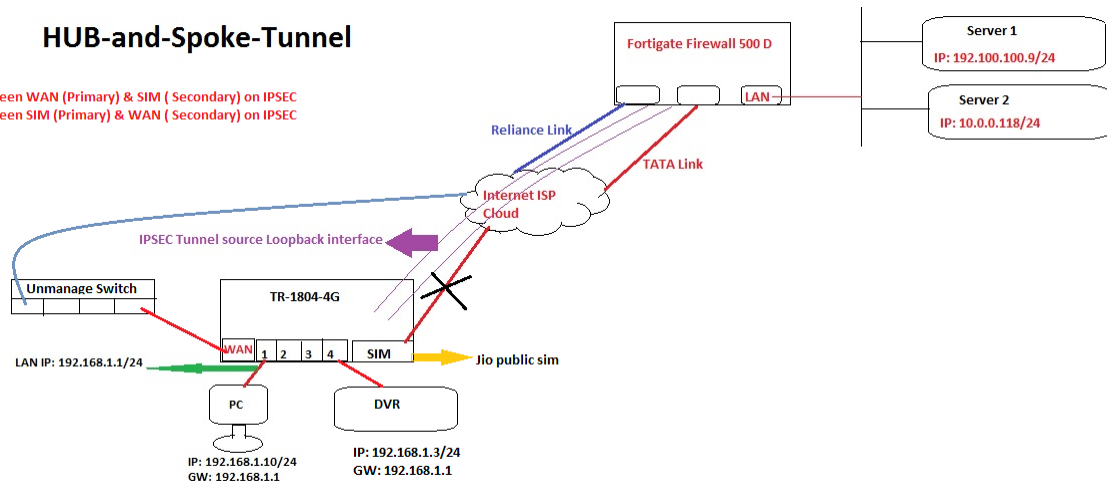
Loopback Interface Configuration

IP address:

Netmask:

- Status
- System
- Services
- Network
- Operation Mode
- Mobile
- LAN
- Wired WAN
- WAN IPv6
- Interfaces
- Wi-Fi
- Firewall
- Switch
- DHCP and DNS
- Diagnostics
- Loopback Interface
- Hostnames

Failover between WAN (Primary link) up & SIM (Secondary link) down



- Status
- Overview
- Network
- Firewall
- Routes
- System Log
- Kernel Log
- Reboot Log
- Realtime Graphs
- VPN
- System
- Services
- Network
- Logout

IPSec **IPSec Log** OpenVPN PPTP tunnel L2TP tunnel

IPSec Status

Refresh

```

Status of IKE charon daemon (weakSwan 5.3.3, Linux 3.18.29, mips):
uptime: 22 minutes, since Jul 31 16:38:44 2018
malloc: sbrk 119784, mmap 0, used 107744, free 11040
worker threads: 11 of 16 idle, 5/0/0 working, job queue 0/0/0, scheduled: 4
loaded plugins: charon random nonce aes des sha1 sha2 md5 pem pkcs1 gmp x509 revocation hmac stroke kernel-netlink socket-default updown xauth-generic
Listening IP addresses:
192.168.1.1
fdfd:66e6:bd35::1
172.30.8.4
Connections:
TATA_Link: %any...14.141.165.149 IKEv1, dpddelay=30s
TATA_Link: local: [172.30.8.4] uses pre-shared key authentication
TATA_Link: remote: [14.141.165.149] uses pre-shared key authentication
TATA_Link: child: 172.16.102.234/32 ==> 192.100.100.0/24 TUNNEL, dpdaction=clear
TATA_Link_1: child: 172.16.102.234/32 ==> 10.0.0.0/24 TUNNEL, dpdaction=clear
Security Associations (1 up, 0 connecting):
TATA_Link[1]: ESTABLISHED 22 minutes ago, 172.30.8.4[172.30.8.4]...14.141.165.149[14.141.165.149]
TATA_Link[1]: IKEv1 SPIs: 4add4ec8b6f4ed06_j 49708f66d350275c_r, pre-shared key reauthentication in 23 hours
TATA_Link[1]: IKE proposal: AES_CBC_128/HMAC_MD5_96/PRF_HMAC_MD5/MODP_1024
TATA_Link[1]: INSTALLED, TUNNEL, reqid 1, ESP in UDP SPIs: c5c144ac_i c8586527_o
TATA_Link[1]: AES_CBC_128/HMAC_SHA1_96, 429899 bytes_j (7121 pkts, 1s ago), 565263 bytes_o (6395 pkts, 1s ago), rekeying in 11 hours
TATA_Link[1]: 172.16.102.234/32 ==> 192.100.100.0/24
TATA_Link[1(2): INSTALLED, TUNNEL, reqid 2, ESP in UDP SPIs: ce17006b_j c8586528_o
TATA_Link_1[2]: AES_CBC_128/HMAC_SHA1_96, 29160 bytes_j (486 pkts, 840s ago), 83700 bytes_o (1395 pkts, 1s ago), rekeying in 11 hours
TATA_Link_1[2]: 172.16.102.234/32 ==> 10.0.0.0/24
    
```

- Status
- Overview
- Network
- Firewall
- Routes
- System Log
- Kernel Log
- Reboot Log
- Realtime Graphs
- VPN
- System
- Services
- Network
- Logout

Routes

The following rules are currently active on this system.

ARP

IPv4-Address	MAC-Address	Interface
192.168.1.64	8c:e7:48:4a:00:66	br-ian
192.168.1.10	c8:5b:76:7a:52:30	br-ian

Active IPv4-Routes

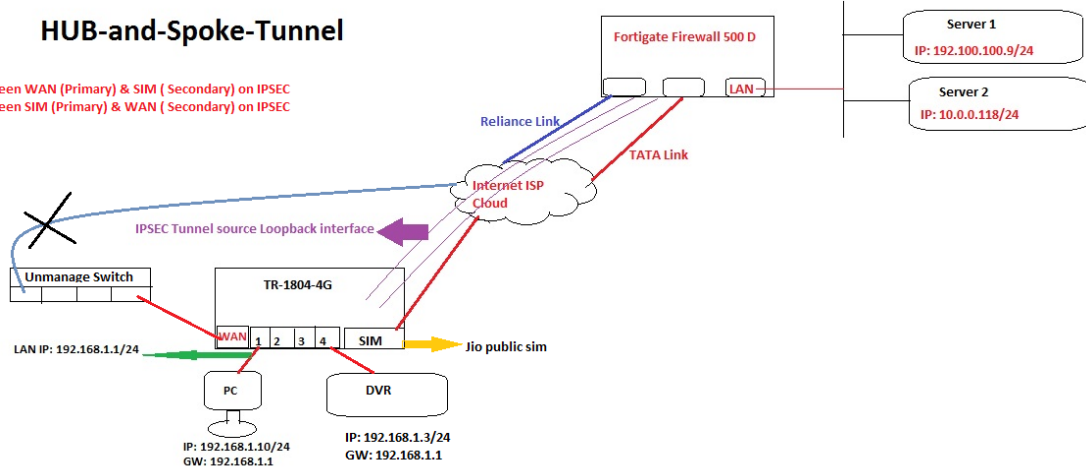
Network	Target	IPv4-Gateway	Metric	Table
wan	10.0.0.0/24	111.119.217.38	0	220
wan	192.100.100.0/24	111.119.217.38	0	220
wan	0.0.0.0/0	111.119.217.38	0	main
wan	111.119.217.38		0	main
lan	192.168.1.0/24		0	main
wan	8.8.8.8	111.119.217.38	0	local

WAN (Primary link) down and SIM (Secondary link) up

HUB-and-Spoke-Tunnel

Requirement:

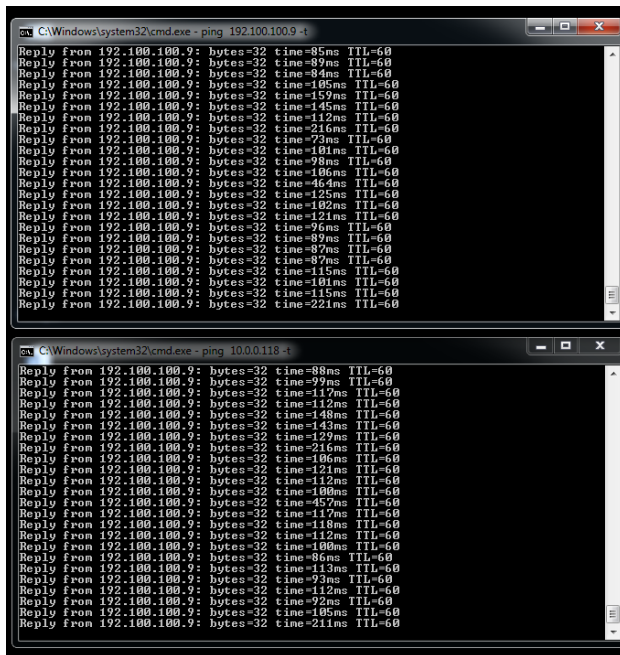
- 1) Failover between WAN (Primary) & SIM (Secondary) on IPSEC
- 2) Failover between SIM (Primary) & WAN (Secondary) on IPSEC



```

C:\Windows\system32\cmd.exe - ping 192.100.100.9 -t
Replay from 192.100.100.9: bytes=32 time=7ms TTL=60
Replay from 192.100.100.9: bytes=32 time=7ms TTL=60
Replay from 192.100.100.9: bytes=32 time=8ms TTL=60
Replay from 192.100.100.9: bytes=32 time=8ms TTL=60
Replay from 192.100.100.9: bytes=32 time=8ms TTL=60
Replay from 192.100.100.9: bytes=32 time=9ms TTL=60
Replay from 192.100.100.9: bytes=32 time=7ms TTL=60
Replay from 192.100.100.9: bytes=32 time=8ms TTL=60
Replay from 192.100.100.9: bytes=32 time=7ms TTL=60
Replay from 192.100.100.9: bytes=32 time=8ms TTL=60
Replay from 192.100.100.9: bytes=32 time=7ms TTL=60
Replay from 192.100.100.9: bytes=32 time=8ms TTL=60
Replay from 192.100.100.9: bytes=32 time=7ms TTL=60
Replay from 192.100.100.9: bytes=32 time=8ms TTL=60
Replay from 192.100.100.9: bytes=32 time=7ms TTL=60
Replay from 192.100.100.9: bytes=32 time=8ms TTL=60
Replay from 192.100.100.9: bytes=32 time=7ms TTL=60
Replay from 192.100.100.9: bytes=32 time=8ms TTL=60
Request timed out.
Replay from 192.168.1.1: Destination net unreachable.
Request timed out.
Replay from 192.168.1.1: Destination net unreachable.

C:\Windows\system32\cmd.exe - ping 10.0.0.118 -t
Replay from 192.100.100.9: bytes=32 time=8ms TTL=60
Replay from 192.100.100.9: bytes=32 time=7ms TTL=60
Replay from 192.100.100.9: bytes=32 time=7ms TTL=60
Replay from 192.100.100.9: bytes=32 time=8ms TTL=60
Replay from 192.100.100.9: bytes=32 time=8ms TTL=60
Replay from 192.100.100.9: bytes=32 time=8ms TTL=60
Replay from 192.100.100.9: bytes=32 time=8ms TTL=60
Replay from 192.100.100.9: bytes=32 time=8ms TTL=60
Replay from 192.100.100.9: bytes=32 time=9ms TTL=60
Replay from 192.100.100.9: bytes=32 time=7ms TTL=60
Replay from 192.100.100.9: bytes=32 time=9ms TTL=60
Replay from 192.100.100.9: bytes=32 time=9ms TTL=60
Replay from 192.100.100.9: bytes=32 time=9ms TTL=60
Replay from 192.100.100.9: bytes=32 time=8ms TTL=60
Replay from 192.100.100.9: bytes=32 time=8ms TTL=60
Replay from 192.100.100.9: bytes=32 time=8ms TTL=60
Replay from 192.100.100.9: bytes=32 time=7ms TTL=60
Replay from 192.100.100.9: bytes=32 time=8ms TTL=60
Request timed out.
Replay from 192.168.1.1: Destination net unreachable.
Request timed out.
  
```



Overview
Network
Firewall
Routes
System Log
Kernel Log
Reboot Log
Realtime Graphs
VPN
System
Services
Network
Logout

IPSec Status

Status of IKE charon daemon (weakSwan 5.3.3, Linux 3.18.29, mips):
 uptime: 87 seconds, since Jul 31 17:03:51 2018
 malloc: sbrk 114688, mmap 0, used 107760, free 6928
 worker threads: 11 of 16 idle, 5/0/0 working, job queue: 0/0/0, scheduled: 4
 loaded plugins: charon random nonce aes des sha1 sha2 md5 pem pkcs1 grp x509 revocation hmac stroke kernel-netlink socket-default updown xauth-generic

Listening IP addresses:
 192.168.1.1
 fdcf66e6:bd35:1
 10.51.123.142

Connections:
 TATA_Link: %any...14.141.165.149 IKEv1, dpddelay=30s
 TATA_Link: local: [10.51.123.142] uses pre-shared key authentication
 TATA_Link: remote: [14.141.165.149] uses pre-shared key authentication
 TATA_Link: child: 172.16.102.234/32 == 192.100.100.0/24 TUNNEL, dpdaction=clear
 TATA_Link_1: child: 172.16.102.234/32 == 10.0.0.0/24 TUNNEL, dpdaction=clear

Security Associations (1 up, 0 connecting):
 TATA_Link[1]: ESTABLISHED 86 seconds ago, 10.51.123.142[10.51.123.142]...14.141.165.149[14.141.165.149]
 TATA_Link[1]: IKEv1 SPIs: 78782b2d18526102, j b95a09e04d0fced, pre-shared key reauthentication in 23 hours
 TATA_Link[1]: IKE proposal: AES_CBC_128/HMAC_MD5_96/PRF_HMAC_MD5/MOOP_1024
 TATA_Link[1]: INSTALLED, TUNNEL, reqid 1, ESP in UDP SPIs: c5d7De3, j c858673a_o
 TATA_Link[1]: AES_CBC_128/HMAC_SHA1_96, 27635 bytes, (443 pkts, 0s ago), 29149 bytes_o (368 pkts, 0s ago), rekeying in 11 hours
 TATA_Link[1]: 172.16.102.234/32 == 192.100.100.0/24
 TATA_Link[1][2]: INSTALLED, TUNNEL, reqid 2, ESP in UDP SPIs: c965e346, j c858673b_o
 TATA_Link[1][2]: AES_CBC_128/HMAC_SHA1_96, 0 bytes, (4920 pkts, 0s ago), rekeying in 11 hours
 TATA_Link[1][2]: 172.16.102.234/32 == 10.0.0.0/24

Status
Overview
Network
Firewall
Routes
System Log
Kernel Log
Reboot Log
Realtime Graphs
VPN
System
Services
Network
Logout

Routes

The following rules are currently active on this system.

ARP

IPv4-Address	MAC-Address	Interface
192.168.1.64	8c:e7:48:4a:00:66	br-ian
192.168.1.10	c8:5b:76:7a:52:30	br-ian

Active IPv4-Routes

Network	Target	IPv4-Gateway	Metric	Table
ifmobile	10.0.0.0/24	10.64.64.64	0	220
ifmobile	192.100.100.0/24	10.64.64.64	0	220
ifmobile	0.0.0.0/0	10.64.64.64	0	main
ifmobile	10.64.64.64		0	main
lan	192.168.1.0/24		0	main
ifmobile	8.8.8.8	10.64.64.64	0	local

IPSec | [IPSec Log](#) | [OpenVPN](#) | [PPTP tunnel](#) | [L2TP tunnel](#)

IPSec Status

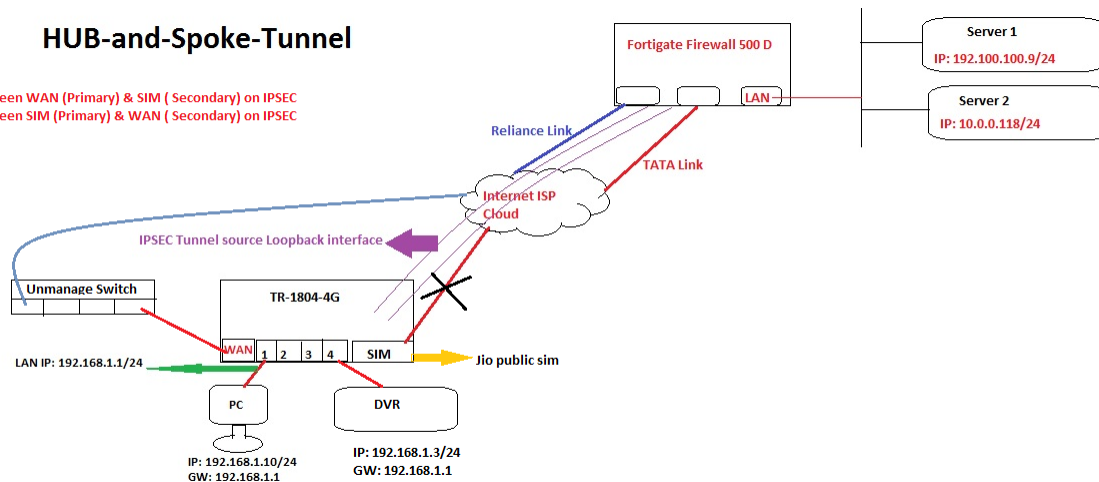
[Refresh](#)

Status of IKE charon daemon (weakSwan 5.3.3, Linux 3.18.29, mips):
 uptime: 2 minutes, since Jul 31 17:03:52 2018
 malloc: sbrk 114688, mmap 0, used 107760, free 6928
 worker threads: 11 of 16 idle, 5/0/0 working, job queue: 0/0/0/0, scheduled: 4
 loaded plugins: charon random nonce aes des sha1 sha2 md5 pem pkcs1 gmp x509 revocation hmac stroke kernel-netlink socket-default updown xauth-generic
 Listening IP addresses:
 192.168.1.1
 fd0d:6666:bd35::1
 10.51.123.142
 Connections:
 TATA_Link: %any...14.141.165.149 IKEv1, dpddelay=30s
 TATA_Link: local: [10.51.123.142] uses pre-shared key authentication
 TATA_Link: remote: [14.141.165.149] uses pre-shared key authentication
 TATA_Link: child: 172.16.102.234/32 === 192.100.100.0/24 TUNNEL, dpdaction=clear
 TATA_Link_1: child: 172.16.102.234/32 === 10.0.0.0/24 TUNNEL, dpdaction=clear
 Security Associations (1 up, 0 connecting):
 TATA_Link[1]: ESTABLISHED 2 minutes ago, 10.51.123.142[10.51.123.142]...14.141.165.149[14.141.165.149]
 TATA_Link[1]: IKEv1 SPIs: 79782b2d18526102_r b95a05e64dfc0d_r, pre-shared key reauthentication in 23 hours
 TATA_Link[1]: IKE proposal: AES_CBC_128/HMAC_MD5_96/PRF_HMAC_MD5/MODP_1024
 TATA_Link[1]: INSTALLED, TUNNEL, reqid 1, ESP in UDP SPIs: c5d70e3_j c858673a_o
 TATA_Link[1]: AES_CBC_128/HMAC_SHA1_96, 54909 bytes_j (873 pkts, 0s ago), 62318 bytes_o (730 pkts, 0s ago), rekeying in 11 hours
 TATA_Link[1]: 172.16.102.234/32 === 192.100.100.0/24
 TATA_Link_1[2]: INSTALLED, TUNNEL, reqid 2, ESP in UDP SPIs: c965e346_j c858673b_o
 TATA_Link_1[2]: AES_CBC_128/HMAC_SHA1_96, 0 bytes_j, 9300 bytes_o (155 pkts, 1s ago), rekeying in 11 hours
 TATA_Link_1[2]: 172.16.102.234/32 === 10.0.0.0/24

Again WAN (Primary link) up & SIM (Secondary link) down

Requirement:

- 1) Failover between WAN (Primary) & SIM (Secondary) on IPSEC
- 2) Failover between SIM (Primary) & WAN (Secondary) on IPSEC



Techroutes | TR-1804-4G Wireless Cellular Router/Modem | [UNSAVED CHANGES](#) | [AUTO REFRESH ON](#)

Mobile | WAN | LAN

WAN Status

IPv4 WAN Status

Port:	pppoe-wan
Protocol:	pppoe
Address:	172.30.8.4
Netmask:	255.255.255.255
Gateway:	111.119.217.38
DNS 1:	120.138.96.18
DNS 2:	120.138.98.18
Uptime:	0h 1m 17s
Mac Addr:	00:00:00:00:00:00
RX:	27.75 KB (217 Pkts.)
TX:	38.98 KB (318 Pkts.)

Status
Overview
Network
Firewall
Routes
System Log
Kernel Log
Reboot Log
Realtime Graphs
VPN
System
Services
Network
Logout

Mobile	WAN	LAN
Mobile Status		
Mobile 1		
Cellular Status	Down	
Cell Modem	SLM730_SLM750 (05C6_F601)	
IMEI/ESN	869621029221243	
Sim Status	SIM Ready	
Strength	T... 22 / 31, dBm : -70	
Selected Network	4G (LTE) only	
Registered Network	Registered on Roaming network: "JIO 4G", 7,	
Sub Network Type	TDD LTE	
Location Area Code	4E	
Cell ID	B9010	
Band	40,39025	
ICCID	89918740400031581709	
RSRP	-103 dBm	

Status
Overview
Network
Firewall
Routes
System Log
Kernel Log
Reboot Log
Realtime Graphs
VPN
System
Services
Network
Logout

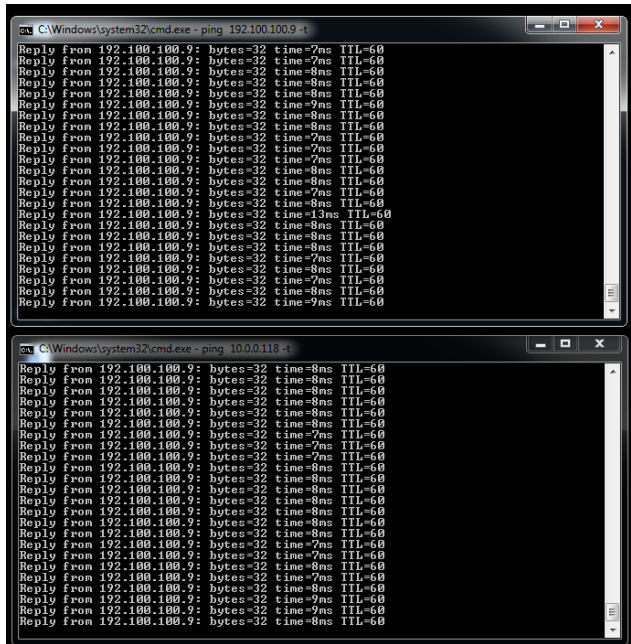
IPSec	IPSec Log	OpenVPN	PPTP tunnel	L2TP tunnel
IPSec Status				
<input type="button" value="Refresh"/>				
<pre> Status of IKE charon daemon (weakSwan 5.3.3, Linux 3.18.29, mips): uptime: 89 seconds, since Jul 31 17:07:39 2018 malloc: sbrk 118784, mmap 0, used 107760, free 11024 worker threads: 11 of 16 idle, 5/0/0 working, job queue: 0/0/0, scheduled: 4 loaded plugins: charon random nonce aes des sha1 sha2 md5 pem pkcs11 gmp x509 revocation hmac stroke kernel-netlink socket-default updown xauth-generic Listening IP addresses: 192.168.1.1 fdfd:66e6:bd35::1 172.30.8.4 Connections: TATA_Link: %any...14.141.165.149 IKEv1, dpddelay=30s TATA_Link: local: [172.30.8.4] uses pre-shared key authentication TATA_Link: remote: [14.141.165.149] uses pre-shared key authentication TATA_Link: child: 172.16.102.234/32 === 192.100.100.0/24 TUNNEL, dpdaction=clear TATA_Link_1: child: 172.16.102.234/32 === 10.0.0.0/24 TUNNEL, dpdaction=clear Security Associations (1 up, 0 connecting): TATA_Link[1]: ESTABLISHED 88 seconds ago, 172.30.8.4[172.30.8.4]...14.141.165.149[14.141.165.149] TATA_Link[1]: IKEv1 SPIs: 96a45c7a66194dbf... 8932fd0830353a10_r, pre-shared key reauthentication in 23 hours TATA_Link[1]: IKE proposal: AES_CBC_128/HMAC_MD5_96/PRF_HMAC_MD5/MODP_1024 TATA_Link[1]: INSTALLED, TUNNEL, reqid 1, ESP in UDP SPIs: c12a836b... c858678f_o TATA_Link[1]: AES_CBC_128/HMAC_SHA1_96, 30373 bytes_i (477 pkts, 0s ago), 32304 bytes_o (397 pkts, 0s ago), rekeying in 11 hours TATA_Link[1]: 172.16.102.234/32 === 192.100.100.0/24 TATA_Link_1[2]: INSTALLED, TUNNEL, reqid 2, ESP in UDP SPIs: cb28425... c8586790_o TATA_Link_1[2]: AES_CBC_128/HMAC_SHA1_96, 0 bytes_i, 5160 bytes_o (96 pkts, 0s ago), rekeying in 11 hours TATA_Link_1[2]: 172.16.102.234/32 === 10.0.0.0/24 </pre>				

Status
Overview
Network
Firewall
Routes
System Log
Kernel Log
Reboot Log
Realtime Graphs
VPN
System
Services
Network
Logout

IPSec IPsec Log OpenVPN PPTP tunnel L2TP tunnel

IPsec Status

Status of IKE charon daemon (weakSwan 5.3.3, Linux 3.18.29, mips):
uptime: 109 seconds, since Jul 31 17:07:40 2018
malloc: sbrk 118784, mmap 0, used 107768, free 11016
worker threads: 11 of 16 idle, 5/0/0 working, job queue: 0/0/0/0, scheduled: 4
loaded plugins: charon random nonce aes des sha1 sha2 md5 pem pkcs1 gmp x509 revocation hmac stroke kernel-netlink socket-default updown xauth-generic
Listening IP addresses:
192.168.1.1
fdfd:6666:bd35::1
172.30.8.4
Connections:
TATA_Link_1: %any...14.141.165.149 IKEv1, dpddelay=30s
TATA_Link_1: local: [172.30.8.4] uses pre-shared key authentication
TATA_Link_1: remote: [14.141.165.149] uses pre-shared key authentication
TATA_Link_1: child: 172.16.102.234/32 === 192.100.100.0/24 TUNNEL, dpdaction=clear
TATA_Link_1: child: 172.16.102.234/32 === 10.0.0.0/24 TUNNEL, dpdaction=clear
Security Associations (1 up, 0 connecting):
TATA_Link[1]: ESTABLISHED 109 seconds ago, 172.30.8.4[172.30.8.4]...14.141.165.149[14.141.165.149]
TATA_Link[1]: IKEv1 SPIs: 96a45c7a66194dbf_1 8932fd0830353a10_1, pre-shared key reauthentication in 23 hours
TATA_Link[1]: IKE proposal: AES_CBC_128/HMAC_MD5_96/PRF_HMAC_MD5/MODP_1024
TATA_Link[1]: INSTALLED, TUNNEL, reqid 1, ESP in UDP SPIs: c12a836b_c858678f_o
TATA_Link[1]: AES_CBC_128/HMAC_SHA1_96, 37901 bytes_1 (602 pkts, 0s ago), 42672 bytes_o (506 pkts, 0s ago), rekeying in 11 hours
TATA_Link[1]: 172.16.102.234/32 === 192.100.100.0/24
TATA_Link[1Q2]: INSTALLED, TUNNEL, reqid 2, ESP in UDP SPIs: cbf28425_c8586790_o
TATA_Link[1Q2]: AES_CBC_128/HMAC_SHA1_96, 0 bytes_1, 6360 bytes_o (106 pkts, 1s ago), rekeying in 11 hours
TATA_Link[1Q2]: 172.16.102.234/32 === 10.0.0.0/24



- Status
- Overview
- Network
- Firewall
- Routes**
- System Log
- Kernel Log
- Reboot Log
- Realtime Graphs
- VPN
- System
- Services
- Network
- Logout

Routes

The following rules are currently active on this system.

ARP

IPv4-Address	MAC-Address	Interface
192.168.1.64	8c:e7:43:4a:00:66	br-lan
192.168.1.10	c8:5b:76:7a:52:30	br-lan

Active IPv4-Routes

Network	Target	IPv4-Gateway	Metric	Table
wan	10.0.0.0/24	111.119.217.38	0	220
wan	192.100.100.0/24	111.119.217.38	0	220
wan	0.0.0.0/0	111.119.217.38	0	main
wan	111.119.217.38		0	main
lan	192.168.1.0/24		0	main
wan	8.8.8.8	111.119.217.38	0	local